

## ➤ The client details

- A Canada Based engineering company specialized to provide solutions with composites products to many industries. It is a global supplier of composite corrosion resistant equipment that can be used in many verticals including chemical, mining, FGD, Pharma, marine and power.
- Company can conduct plant installation including engineering, manufacturing.

## ➤ Project Details (Scope of work of the project)

- Providing 3d models of spools of piping system from provided isometric piping drawings.
- Providing 2d Drawings of spools with specified templates and systems.

## ➤ Business need of the client

- The client required a 3d models and 2d drawings of each spools from isometric piping drawings. These isometric piping drawings had only piping paths and equipment locations, from that they need a complete spool models and drawings. Total 150+ Spool Models and Drawings need to be created.

## ➤ Duration of the project

- Both companies were mutually agreed to complete this package within 18working days.
- Engineering Technique delivered final native files within stated delivery period along with QC from both side.(Client as well as Engineering Technique)

## ➤ Technology used

- 3D Modeling Software - Solidworks 2016

## ➤ Deliverables

- Pdfs for review
- Solidworks Native files including 3d models and 2d drawings of spools

➤ Solution provided/value addition

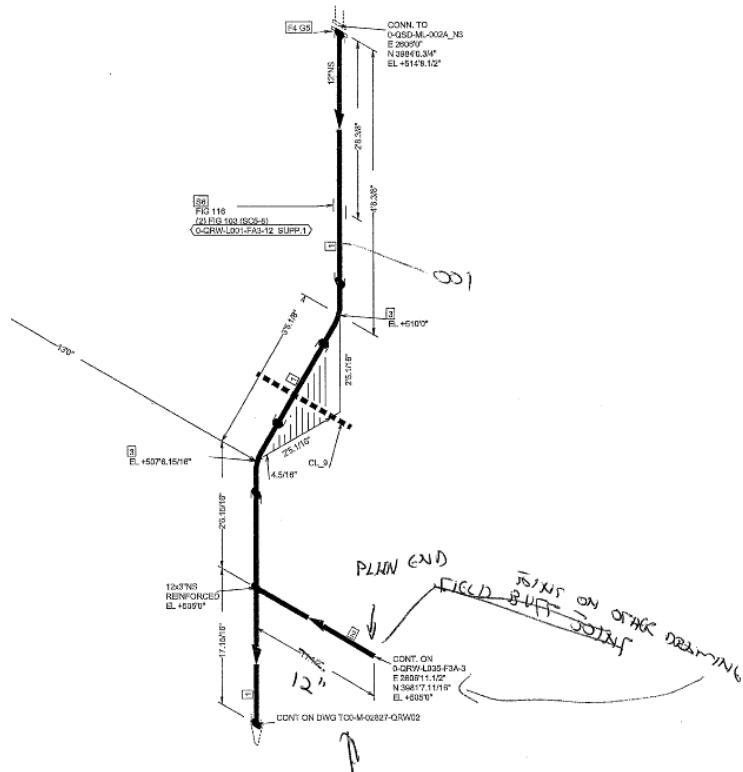
- Engineering Technique understood every parameters required by client and took some decisions based on their requirement.
- Engineering Technique has also provided some suggestions/rectifications to their existing Iso metric layout which were creating some problems.

➤ Challenges faced if any

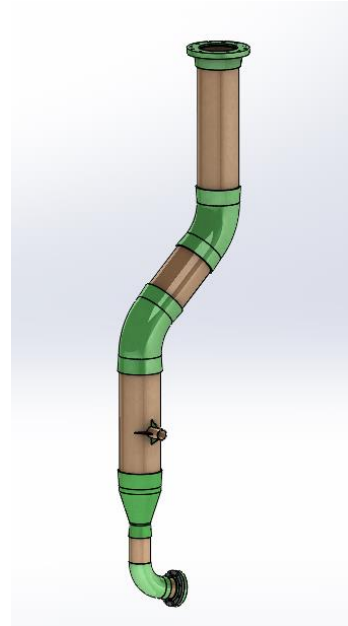
- As every company has its own standard for making drawings and models, this client was also Following some methods.
- First of all Engineering technique’s engineers understood their Modeling technique followed by QC engineers.

➤ Project snaps

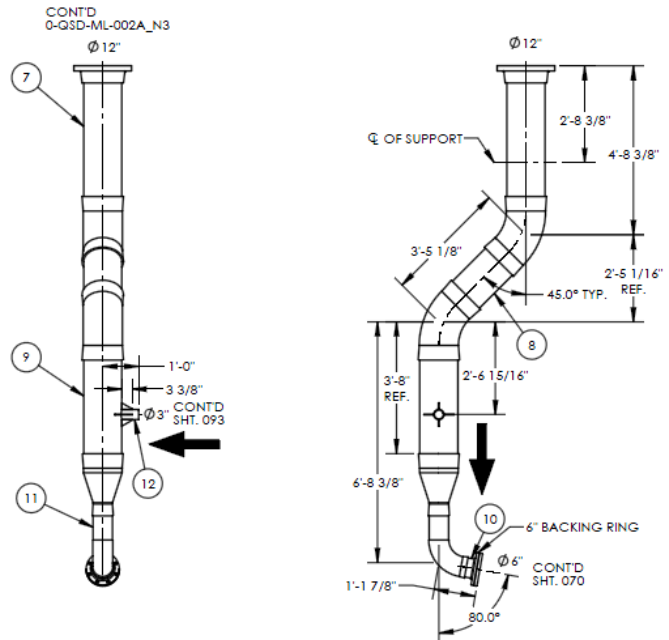
ISO METRIC LAYOUT



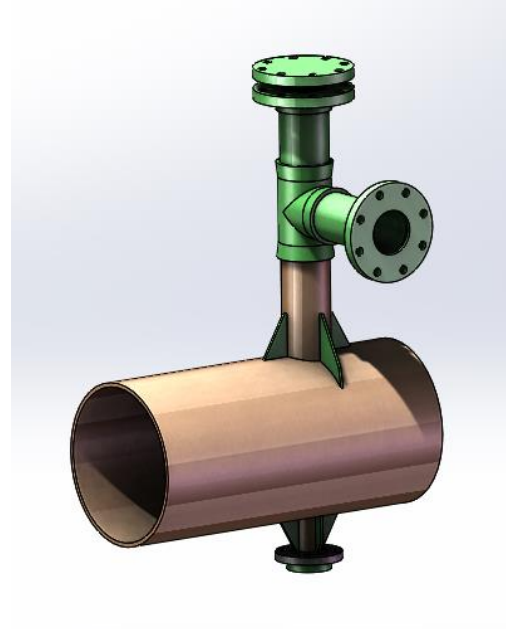
3D MODEL-SPOOL MODEL



2D DRAWING-SPOOL DRAWING



3D MODEL-SPOOL MODEL



2D DRAWING-SPOOL DRAWING

